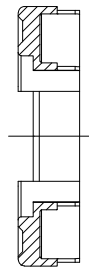
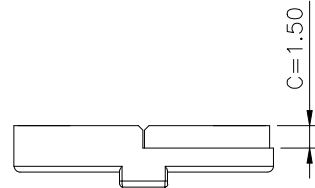
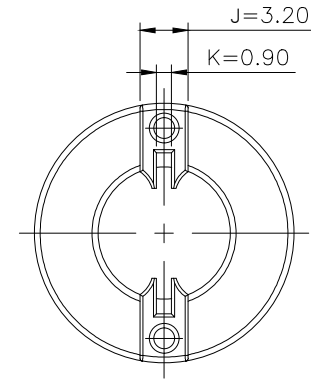
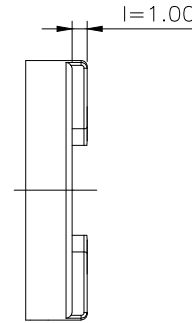
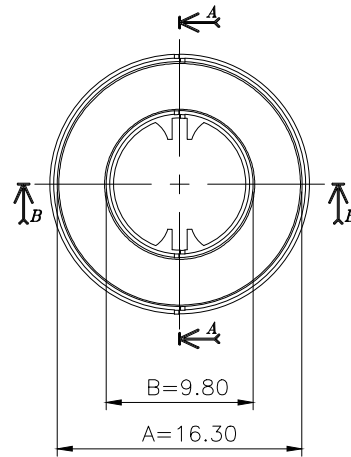


SECTION B-B



SECTION A-A



△							
△							
△							
△							
MARK	REVISION NOTE			DATE	DRAWN	CHECKED	APPROVED
	DRAWN	CHECKED	APPROVED	MATERIAL : PBT	UL REC. : UL94V-0	THIRD ANGLE PROJ.	SCALE : 1/1
	DS, Kim	Hyoung Seok, Lee	Chul, Park		DATE : 2010.07.15	TOLERANCE : ±0.2 (Unless otherwise specified)	UNIT : m/m
	주식회사 대흥보빈 DAE HEUNG BOBBIN CO., LTD			TITLE OR 16φ CAP (S)		DWG NO DH-100914-8606-01	